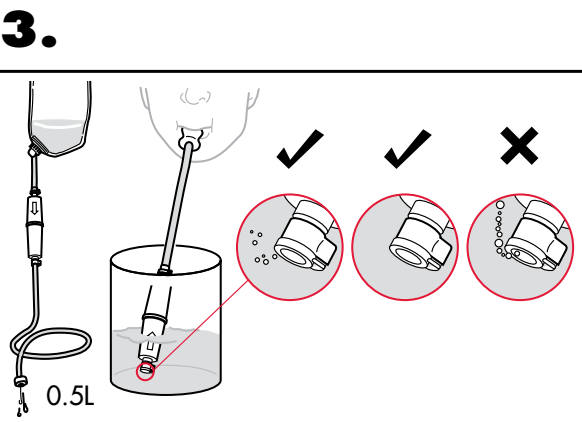
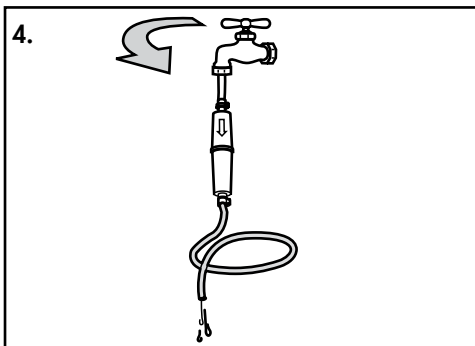
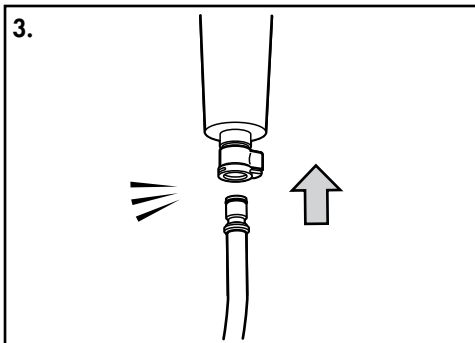
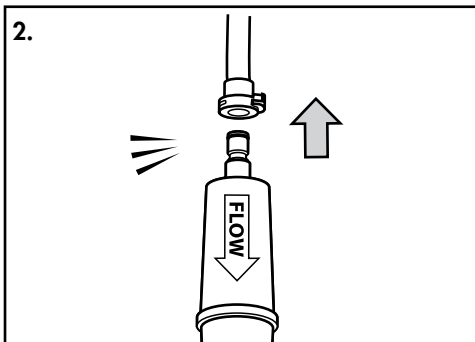
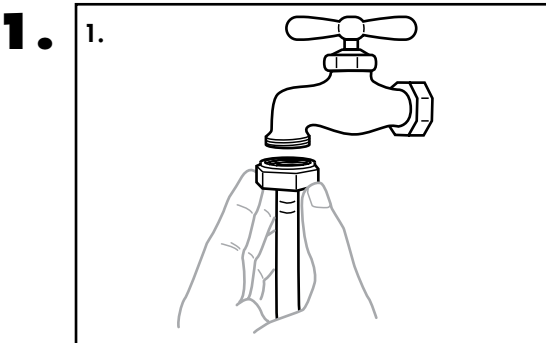
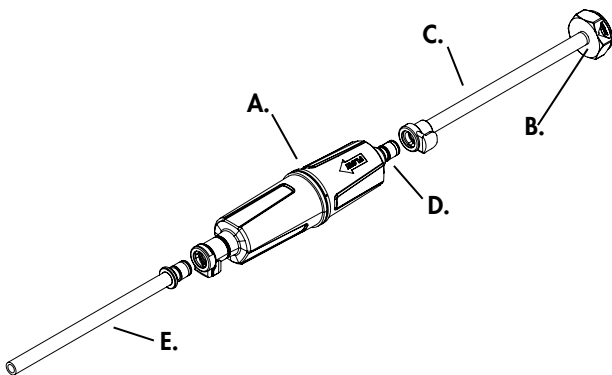


INSTRUCTION MANUAL



HOME EMERGENCY WATER FILTER

Featuring the Thru-Link™ Microfilter



IMPORTANT

Read and understand this entire manual carefully before assembling or using this water filter. Keep this manual for future reference. If you do not understand this manual or have any questions, please call Cascade Designs at 1-800-531-9531.

WARNING

BIOLOGICAL HAZARD

There are hazards associated with backcountry or international travel and the use of water filters. Drinking untreated water can result in exposure to harmful microorganisms and an increased risk of gastrointestinal illness. Never use the Thru-Link™ filter to filter seawater or highly chemically contaminated water, such as water from mining tailing ponds or near agricultural operations. The Thru-Link™ filter does not make potable water from these sources and does not remove radioactive materials, or particles smaller than 0.2 microns. Improper use of this filter increases your risk of exposure to harmful microorganisms and increases your risk of gastrointestinal illness. Reduce your chances of becoming sick by following the warnings and instructions in this manual and educating yourself on backcountry and international water safety.

YOU ARE RESPONSIBLE FOR YOUR OWN SAFETY AND THE SAFETY OF THOSE IN YOUR GROUP. PLEASE USE GOOD JUDGMENT.

Keep the Inlet Hose and other potentially contaminated parts away from filtered water to prevent cross contamination.

READ, UNDERSTAND, AND FOLLOW ALL instructions and warnings in this manual before using this filter. Failure to follow warnings and instructions may result in gastrointestinal illness.

THRU-LINK™ MICROFILTER INSTRUCTIONS

The Thru-Link™ Microfilter uses hollow fiber technology to remove bacteria, protozoa and particulate, and employs activated carbon to reduce chemicals, tastes and odors, from fresh water sources. This filter does not remove viruses.

MICROFILTER PARTS:

- A. Filter
- B. Adapter
- C. Inlet Hose
- D. Male Quick Connect
- E. Clean Water Hose

IMPORTANT NOTES:

- To extend life of filter:
 - * Use the clearest water available.
 - * Avoid filtering silty, cloudy, muddy, glacial stream, or tea-colored water because these sources will quickly clog the filter.
- If filter clogs, it has reached the end of its life. Replace filter.
- To treat water with suspected viruses, use an approved disinfectant such as Aquatabs®. For more information, see the Centers for Disease Control Web site: www.CDC.gov.

1. FILTERING

1. Thread Adapter onto hose bib.
2. Attach Filter to Inlet Hose.
3. Attach Clean Water Hose to Filter.
4. Turn spigot on slowly.

BEFORE FIRST USE:

You'll need to flush the filter of loose carbon dust, which is harmless. Run water through it until water appears clear.

WARNING DO NOT drop, or allow the filter to freeze once it's been used. A damaged filter cannot prevent exposure to harmful microorganisms. If you suspect the filter may be damaged, perform a safety check (See Safety Integrity Check). If the filter is damaged, discontinue use and replace it.

2. DISINFECTING & STORING FILTER AFTER USE

MSR recommends replacing your used filter after an emergency. However, if you wish to reuse it, disinfect the filter before storing it long-term (15+ consecutive days).

1. Submerge Filter in a pot of water.
2. Bring water to a boil.
3. Boil for 3 min.
4. Turn off heat and allow water to cool before removing filter.

WARNING Once it has been used, never store the filter in cold temperatures (below 32 F/0 C) because freezing the filter can permanently damage the internal fibers.

3. SAFETY INTEGRITY CHECK

The filter media can be damaged if dropped, or if frozen after use. If either of these has happened, perform an integrity check. YOU WILL NEED A POT TO PERFORM CHECK.

1. Pass ½ liter of water through filter.
2. Shut off spigot and place thumb over end of Clean Water Hose to capture water in tube.
3. Detach Filter from Inlet Hose.
4. Submerge Male Quick Connect in pot of water.
5. Blow into Clean Water Hose, pushing all water back through filter.
6. Allow initial bubbles to clear Filter.
7. Blow into Clean Water Hose again. If it's impossible to blow air through Filter, Filter is safe. If it's possible to blow air through the filter and a steady stream of micro bubbles appears, filter is NOT SAFE. If filter is damaged, discontinue use and replace.

Aquatabs® is a trademark of Medentech Limited registered in the United States and may be registered in other countries.

Limited Warranty details at msrgear.com/warranty



Cascade Designs, Inc.
 4000 First Avenue South | Seattle, WA 98134 USA
 Cascade Designs, Inc., USA -
 1-800-531-9531 or 206-505-9500
 Cascade Designs, Ltd., Ireland - (+353) 21-4621400
www.msrgear.com | info@cascaadedesigns.com